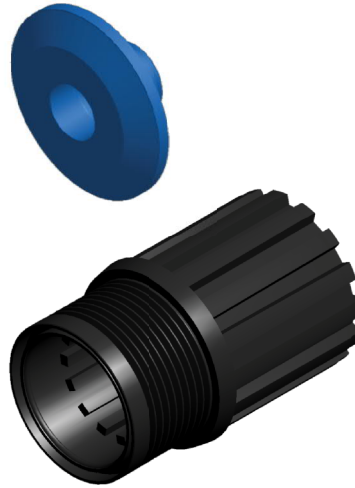
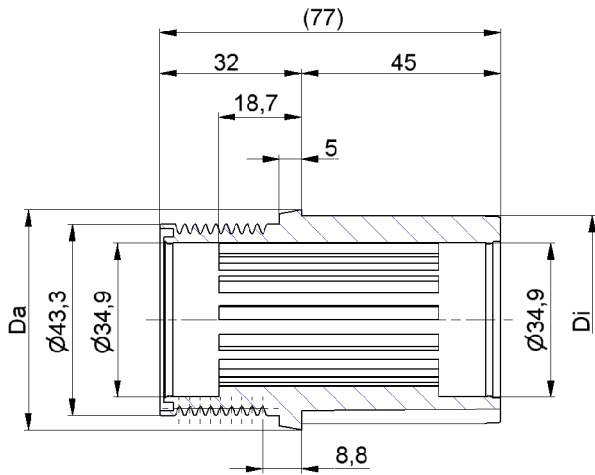




COMPONENTS

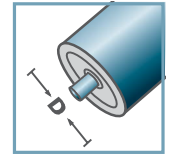


VR-		
Type	Di	Da
50x1,5.40	47,3	49,8

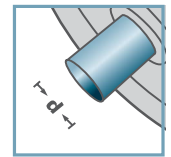
Housing: Plastic



VR-40



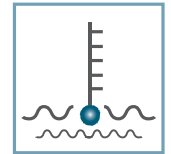
D [mm]
50



d [mm]
-



C [daN]
-



T [°C]
0° - 80°



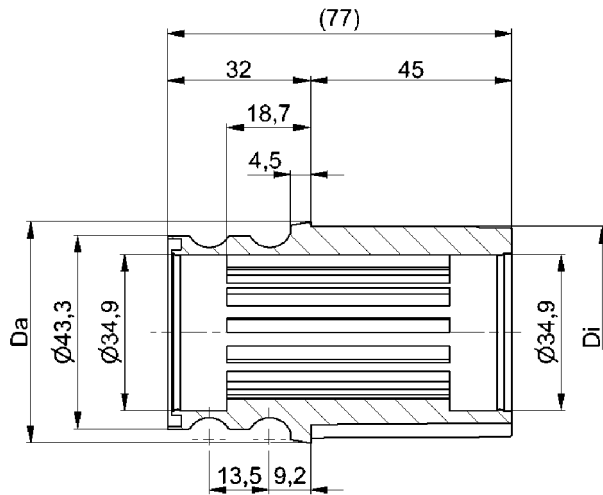
-



Carton [pcs.]

100

Plastic VR-Belt Drive Wheel

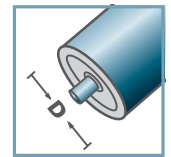


RR-		
Type	Di	Da
50x1,5.40	47,3	49,8

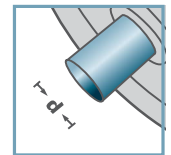
Housing: Plastic



RR-40



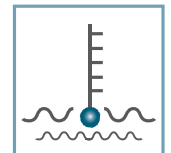
D [mm]
50



d [mm]
-



C [daN]
-



T [°C]
0° - 80°



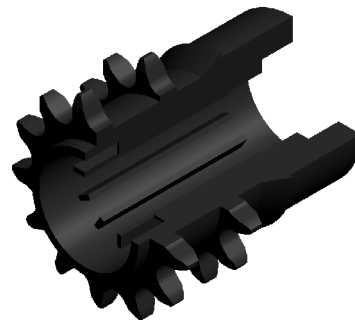
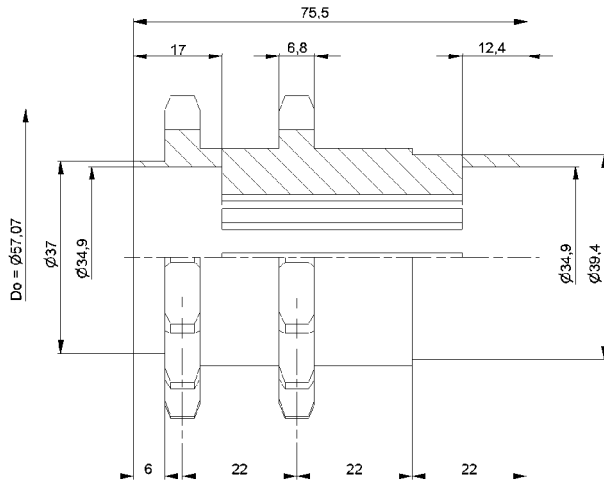
-



Carton [pcs.]

100

Plastic Belt Drive Wheel



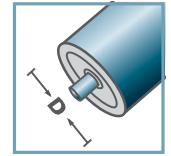
KKR-1/2"x5/16"-Z14

Other dimensions on request!

Housing: Plastic

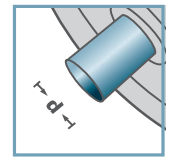


KKR-40



D [mm]

-



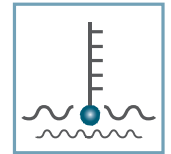
d [mm]

-



C [daN]

-



T [°C]

0° - 80°



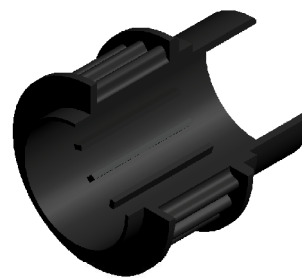
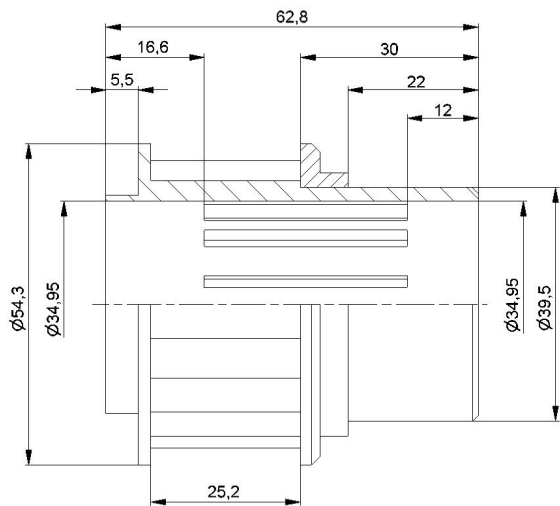
-



Carton [pcs.]

500

Plastic Sprocket Wheel

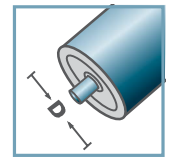


KZA-Z20.40
 Other dimensions on request!

Housing: Plastic

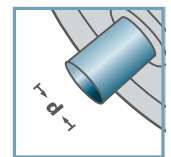


KZA-40



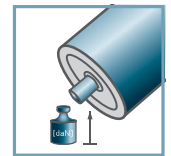
D [mm]

-



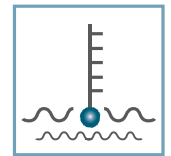
d [mm]

-



C [daN]

-



T [°C]

0° - 80°



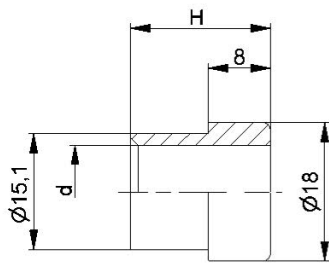
-



Carton [pcs.]

140

Plastic Synchronous Belt Drive

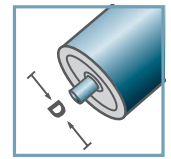


KKR-40		
	d	H
KKR-40	10	19
KKR-40	12	18
KKR-40	14	19
KKR-40	SW11	19
Other dimensions on request!		

☛ Reducing Bush: Plastic

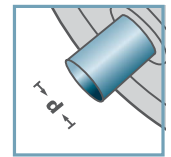


KKR-40



D [mm]

-



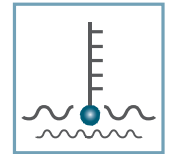
d [mm]

10; 12; 14; SW11



C [daN]

-



T [°C]

0° - 80°



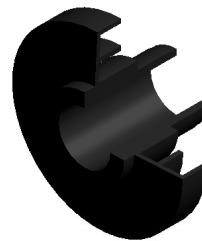
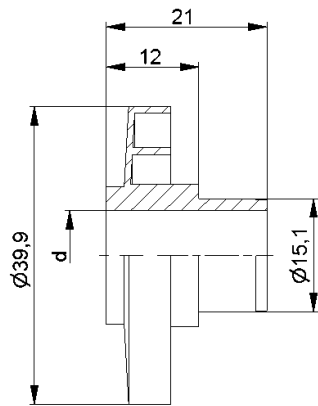
-



Carton [pcs.]

500/8000

Reducing Bush

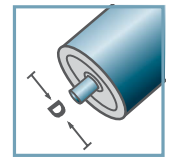


KKR-40	
Typ	d
KKR-40	10
KKR-40	12
KKR-40	14
KKR-40	SW11
Other dimensions on request!	

Labyrinth Seal: Plastic

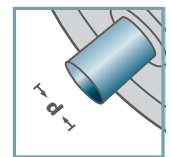


KKR-40



D [mm]

-



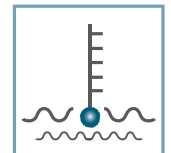
d [mm]

10; 12; 14; SW11



C [daN]

-



T [°C]

0° - 80°



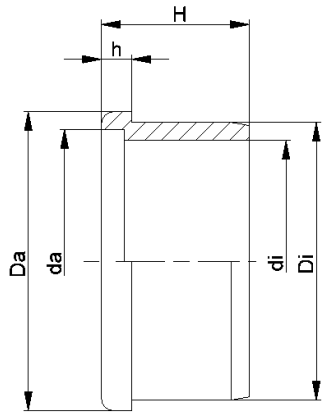
-



Carton [pcs.]

200/1000

Labyrinth Seal



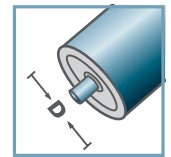
KKR-40						
Typ	Di	Da	di	da	H	h
50x1,5	47,25	50	39,3	42,6	25,2	5
50x2,8	44,7	50	39,3	42,6	25,2	5
60x1,5	57,3	60	47,0	50,7	25,5	5
60x2,0	56,3	60	47,0	50,7	25,5	5

Other dimensions on request!

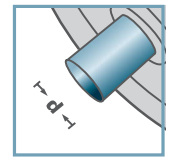
Distance Ring Fix: Plastic



KKR-40



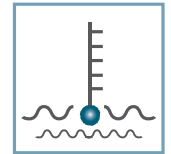
D [mm]
50 - 60



d [mm]
-



C [daN]
-



T [°C]
0° - 80°



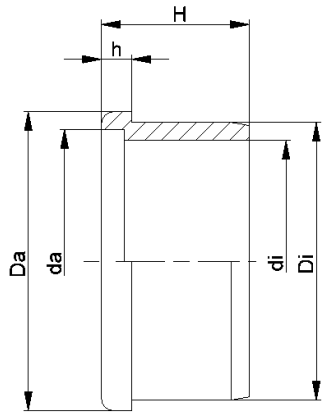
-



Carton [pcs.]

ø50: 400
ø60: 250

Distance Ring Fix



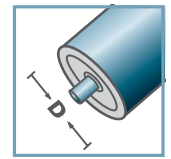
KKR-40						
Typ	Di	Da	di	da	H	h
50x1,5	47,2	50	40,6	44,6	25	5
50x2,8	44,6	50	40,6	44,6	25	5

Other dimensions on request!

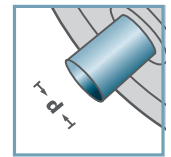
Distance Ring Friction: Plastic



KKR-40



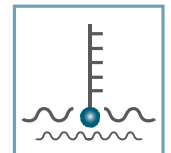
D [mm]
50 - 60



d [mm]
-



C [daN]
-



T [°C]
0° - 80°



-



Carton [pcs.]

400

Distance Ring Friction