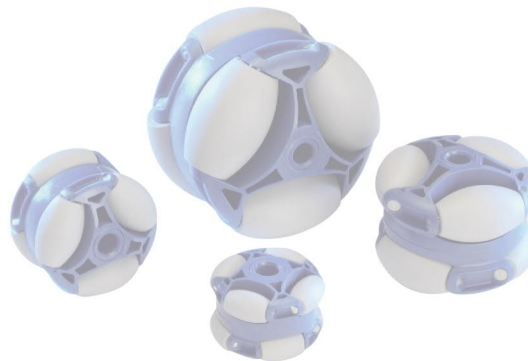
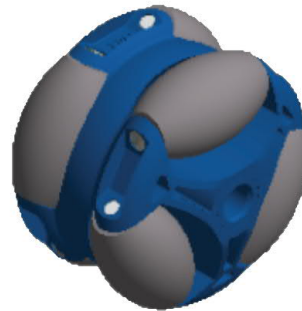
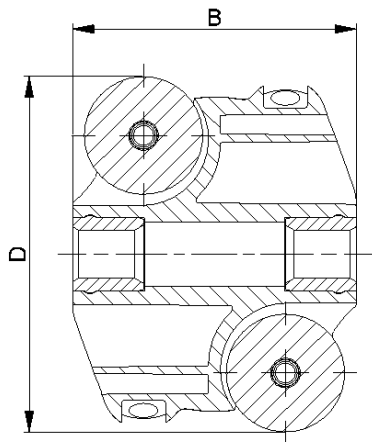


	D [mm]	B [mm]	Axle diameter [mm]	Load Rating C [daN]
ASR-40 POM-A8	40	29	8	10
ASR-40 POM-A10	40	29	10	10
ASR-40 POM-ASW9	40	29	SW9	10

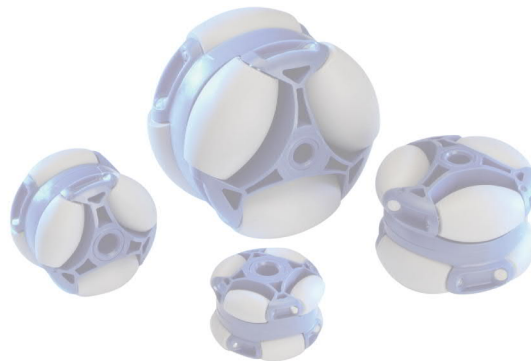
- Housing and barrels made from POM, Axles made from 1.4301
- Special Design: Barrels made from PU

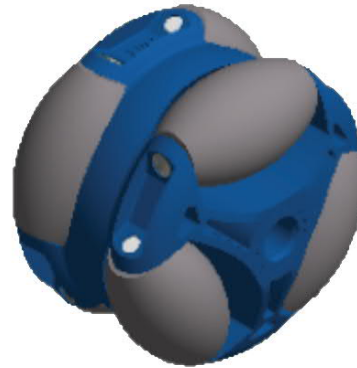
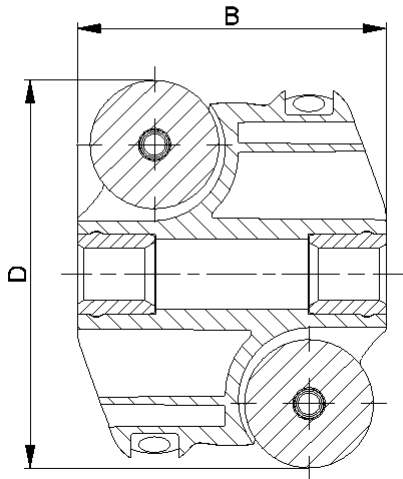




	D [mm]	B [mm]	Axle diameter [mm]	Load Rating C [daN]
ASR-48 POM-A8	48	39	8	15
ASR-48 POM-A10	48	39	10	15
ASR-48 POM-ASW9	48	39	SW9	15

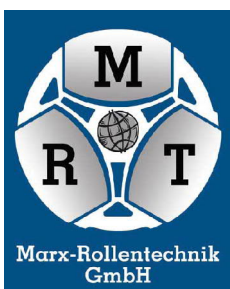
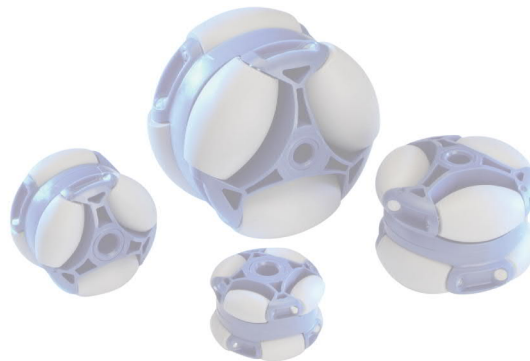
- Housing and barrels made from POM, Axles made from 1.4301
- Special Design: Barrels made from PU

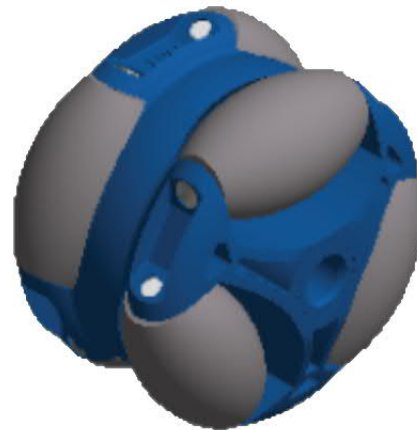
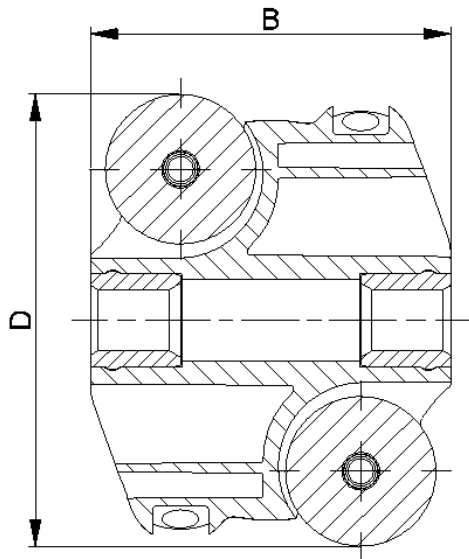




	D [mm]	B [mm]	Axle diameter [mm]	Load Rating C [daN]
ASR-60 POM-A8	60	48	8	20
ASR-60 POM-A10	60	48	10	20
ASR-60 POM-ASW9	60	48	SW9	20

- Housing and barrels made from POM, Axles made from 1.4301
- Special Design: Barrels made from PU





	D [mm]	B [mm]	Axle diameter [mm]	Load Rating C [daN]
ASR-80 POM-A8	80	64	8	40
ASR-80 POM-A12	80	64	12	40
ASR-80 POM-A15	80	64	15	40
ASR-80 POM-ASW14	80	64	SW14	40

- Housing and barrels made from POM, Axles made from 1.4301
- Special Design: Barrels made from PU

